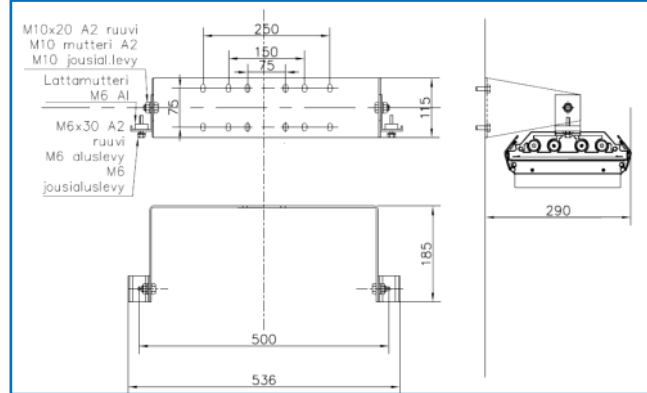
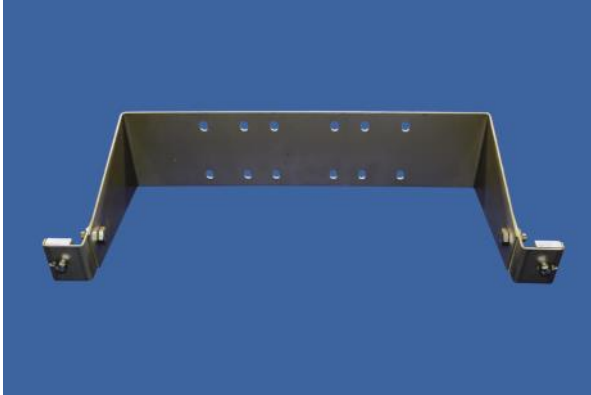


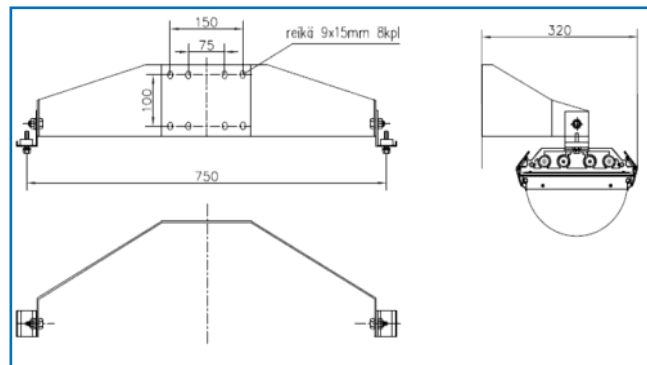
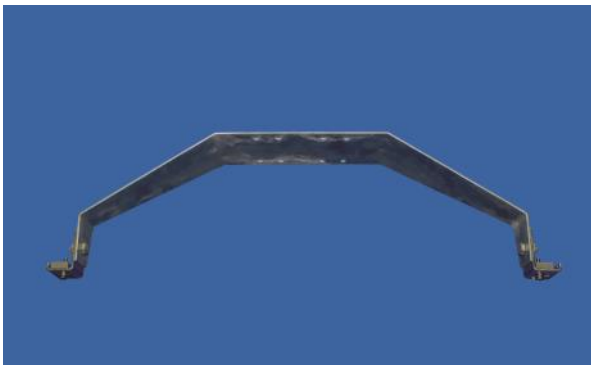
Wall bracket 9001 05

- Code 9001 05 00—hot galvanized steel
- Code 9001 05 00 RST —stainless steel
- Fixing screws RST
- Vertical, stepless orientation
- Weight 3kg



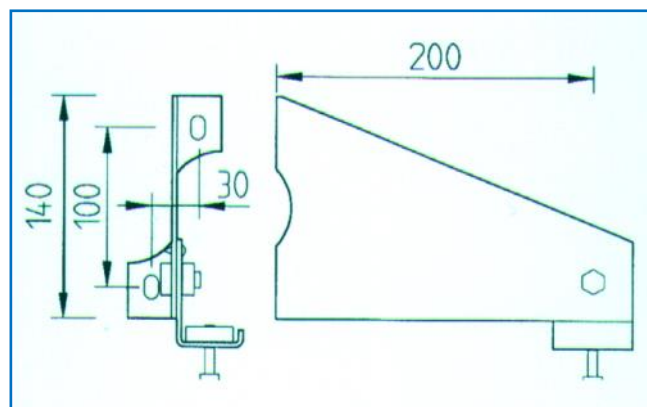
Wall bracket 9001

- Code 9001 00 00—hot galvanized steel
- Code 9001 00 00 RST —stainless steel
- Fixing screws RST
- Vertical stepless orientation
- Weight 3,5kg



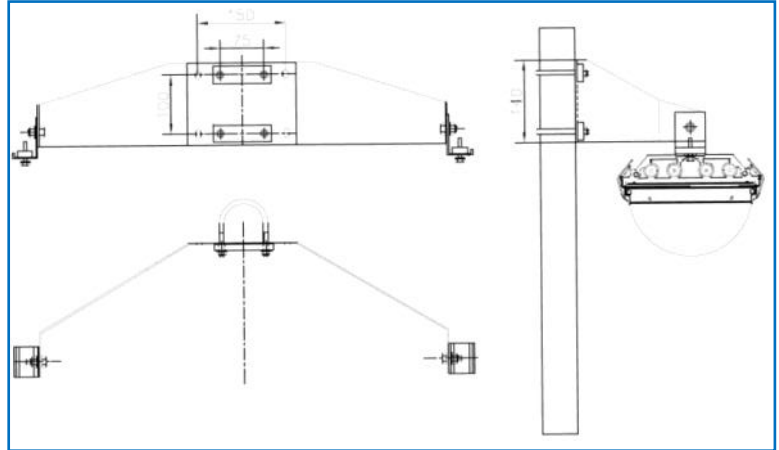
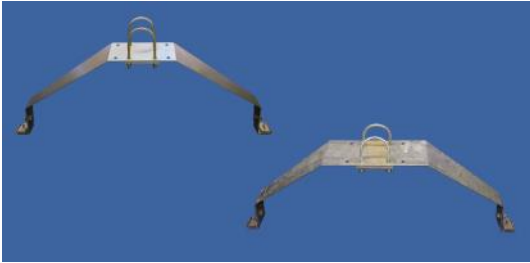
Wall bracket pair 9002

- Code 900 2 00 00—hot galvanized steel
- Code 900 2 00 00 RST —stainless steel
- Fixing screws RST
- Vertical stepless orientation
- Weight 2kg



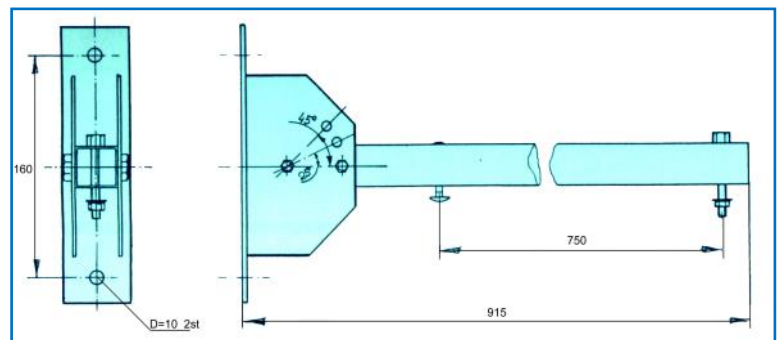
Pole bracket 9003

- **Code 9003 00 00**—hot galvanized steel
- **Code 9003 00 00 RST**—stainless steel
- Fixing screws RST
- Suitable for diam, 45..60mm poles
- Weight 4kg



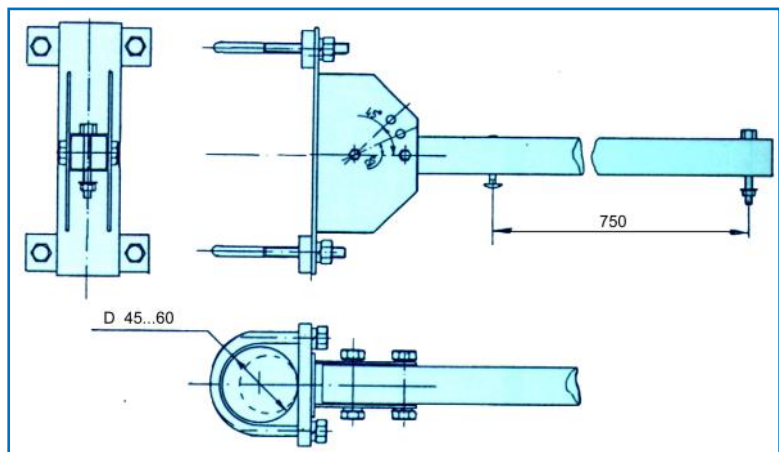
Wall bracket 9006

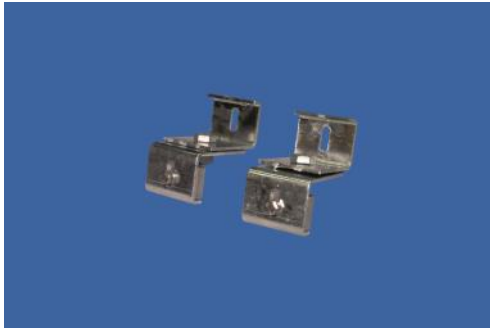
- **Code 9006 00 00**—hot galvanized steel
- **Code 9006 05 00**— For Led Victor 500M
- Fixing screws RST
- Orientation 0° to 45° in three steps
- Weight 2.5kg



Pole bracket 9007

- **Code 9007 00 00**—hot galvanized steel
- **Code 9007 05 00**—For Led Victor 500M
- Fixing screws RST / hot galvanized steel
- Suitable for diam, 45..60mm poles
- Orientation 0° to 45° in three steps
- Weight 3kg





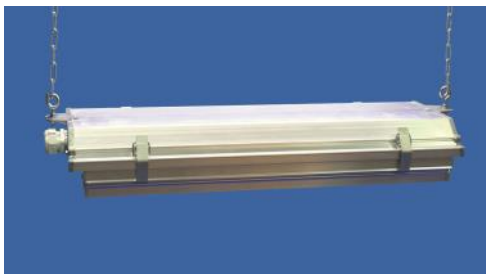
Bracket pair 9005

- Code 900 5 00 00—hot galvanized steel
- Fixing screws RST
- Vertical stepless orientation
- Weight 0,5kg



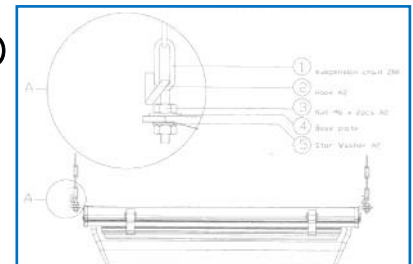
Pair of swivelling supports 820000

- Code 820000
- RST AISI 304
- Fixing screws RST
- Vertical stepless orientation
- Weight 0,5kg



Suspension chains 9008

- Code 900 8 00 0x (x=chain length m)
- Length in full metres
-> e.g. 900 8 00 02 = 2m chains
- Chains hot galvanized steel / hooks RST



Telescopic pole

- Product code 900T60 30 -> hot galvanized steel
- Product code 900T60 30 RST -> RST
- Length adjustable 2,25m-3,0m, locking every 250mm.
- Suitable pole brackets:
 - pole bracket 9003 (photo)
 - pole bracket 9007.