

Low Bay Victor



Acryl cover



PC-cover



Glass cover

Structure:

- Body and hinges in extruded aluminium
- Diffuser: acryl/PC/tempered glass
- Particle filter integrated in the luminaire
- Can be modified to customers' needs

Connection:

- -0- 5x2,5mm² 2xM25 or plug with 1,5 m connection cable
- 230V 50Hz

Mounting:

- Recommendable mounting height 2-6m.
- Straight to ceiling, lighting suspension rail or cable tray.
- Wall mounting with brackets: 900 1 00 00 / 900 2 00 00 / 900 6 00 00
- Pole mounting with brackets: 900 3 00 00 / 900 7 00 00
- Chain suspension: 900 8 00 0x (x=chain length m.)
- Instant mounting rail: 900 4 00 00

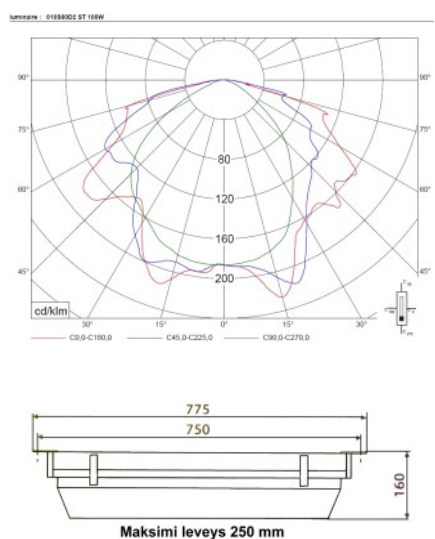
| | | |
|----|--|------------|
| CE | | IP64 |
| | | |
| | | Ta 40°C |

| Luminaire | Light source | Diffuser characteristic | Applications |
|--------------------|----------------------------------|---|--|
| Victor acryl cover | ST/MT100W, E40 | Resistant to UV-radiation, lye and small amounts of solvents | <ul style="list-style-type: none"> - Process industry, low bay areas - Cellars, pipe bridges and canals, conveyor bridges - Warehouses and loading docks - Outdoor maintenance bridges - Outdoor lighting |
| Victor PC-cover | ST/MT100W, E40 | Mechanically strong, extra wide beam, low glare | <ul style="list-style-type: none"> - Process industry, low bay areas - Cellars, pipe bridges and canals, conveyor bridges - Warehouses - Boiler rooms - Parking halls |
| Victor glass cover | ST/MT100W, E40 ST/MT150W, E40 | Resistant to chemicals, high temperatures and mechanical cleaning | <ul style="list-style-type: none"> - Process industry, low bay areas - Cellars - Boiler rooms with high temperature - Agricultural facilities - Places that require continuous cleaning |

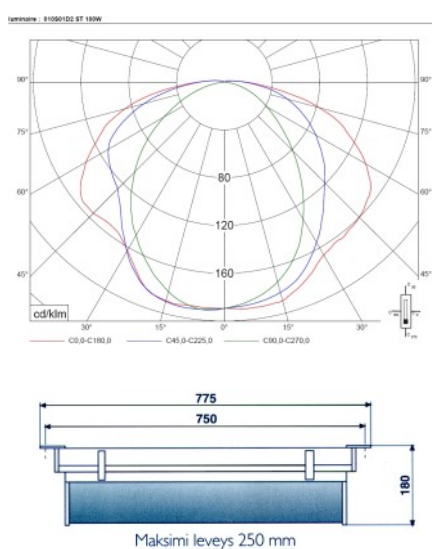
Low bay Victor

Light distribution and dimensions:

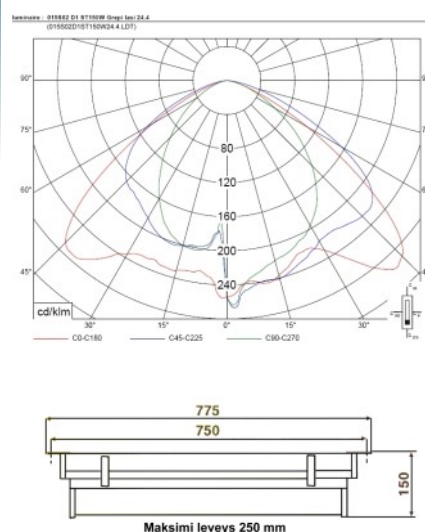
Acryl cover



PC-cover



Glass cover



| Code | Power (W) | Base | Connection | Kg |
|---------------------------|-----------|------|------------------------------|-----|
| Victor acryl cover | | | | |
| 010 S 00 D1 | ST/MT 100 | E40 | -0- 5x2,5 mm ² | 7,0 |
| 010 S 00 D2 | ST/MT 100 | E40 | Plug + connection cable 1,5m | 7,0 |
| Victor PC-cover | | | | |
| 010 S 01 D1 | ST/MT 100 | E40 | -0- 5x2,5 mm ² | 7,0 |
| 010 S 01 D2 | ST/MT 100 | E40 | Plug + connection cable 1,5m | 7,0 |
| Victor glass cover | | | | |
| 010 S 02 D1 | ST/MT 100 | E40 | -0- 5x2,5 mm ² | 8,5 |
| 010 S 02 D2 | ST/MT 100 | E40 | Plug + connection cable 1,5m | 8,5 |
| 015 S 02 D1 | ST/MT 150 | E40 | -0- 5x2,5 mm ² | 8,5 |
| 015 S 02 D2 | ST/MT 150 | E40 | Plug + connection cable 1,5m | 8,5 |

Optional features:

- **Epoxy coating** -> Replace the last number with '5' (-0-) or '6' (plug)
- **CEE17-plug (2P+E)** -> Replace the last number of the code with '17'.